

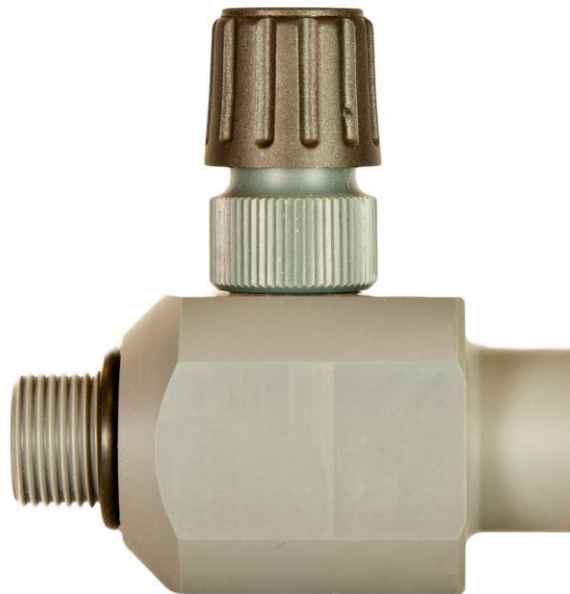
MPB SERIES CV100 FLOW CONTROL VALVE

GENERAL INFORMATION

The MPB Series CV100 offers an excellent corrosion resistant flow control valve, which is suitable for use with MPB Series FA50 Flow Alarm, TX50 Flow Transmitter, 1700 Flowmeter, or any other lower flow rate flowmeter in the MPB range.

For higher flows, please see MPB Series CV200 technical bulletin MPBTB 094.

The MPB range of flow control valves offers excellent, economical, independent flow control, which can be used in any application where a needle flow control valve is required.



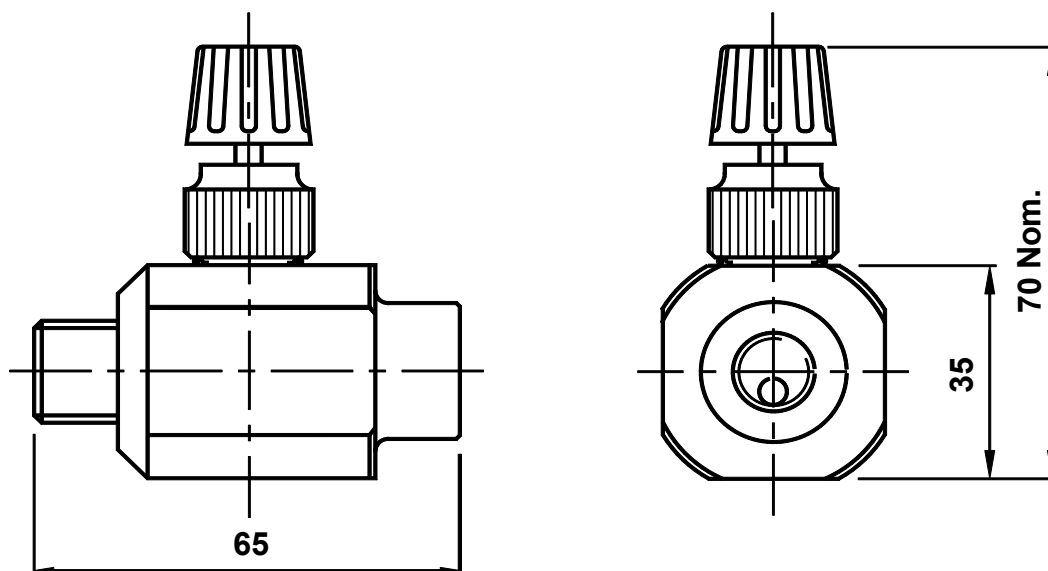
MPB SERIES CV100 FEATURES

- OFFERS AN INDEPENDENT FLOW CONTROL VALVE FOR MPB FLOWMETERS
- MANUFACTURED IN STAINLESS STEEL, OR PVC
- GOOD FLOW CHARACTERISTICS
- IDEAL FOR ANY APPLICATION REQUIRING AN INDEPENDENT FLOW CONTROL VALVE
- CONTROLS LIQUID FLOW RATES UP TO 15 L/MIN
- CONTROLS AIR FLOW RATES UP TO 450 L/MIN @ 10 BAR G
- EXCELLENT CORROSION RESISTANCE
- ECONOMICALLY PRICED

MPB SERIES CV100 FLOW CONTROL VALVE

<p>Process Connections: Inlet 1/4" BSPFF Outlet 3/8" BSPPM</p> <p>Materials of Construction: Body: PVC, or Stainless steel Spindle: Stainless steel Seals: Viton</p>	<p>Weight: PVC: 80g Stainless steel: 450g</p> <p>Maximum Temperature: PVC: 60°C Stainless Steel: 100°C</p> <p>Maximum Pressure: PVC: 7 bar g Stainless Steel: 30 bar g</p>
---	---

INLET PRESSURE BAR G	FLOW L/MIN H ₂ O VALVE OPEN 1 TURN	FLOW L/MIN H ₂ O VALVE OPEN 3 TURNS	FLOW L/MIN H ₂ O VALVE FULLY OPEN
1	3.5	8.5	10.0
2	5.0	9.0	11.5
4	7.0	11.0	13.0
6	8.5	12.5	13.5
8	9.5	13.5	14.0
10	10.0	14.5	15.0



MPB Industries Ltd - Designers and Manufacturers of Scientific and Process Control Instrumentation

Part of the Scientific Digital Imaging plc (SDI) group of companies
 Unit 1 Branbridges Ind Est, East Peckham, Kent TN12 5HF, UK, Tel: +44 (0)1622 872401
 mail@mpbflowmeters.com, www.mpbflowmeters.com



Due to the constant development and improvement of products, information may be altered or withdrawn without notice.